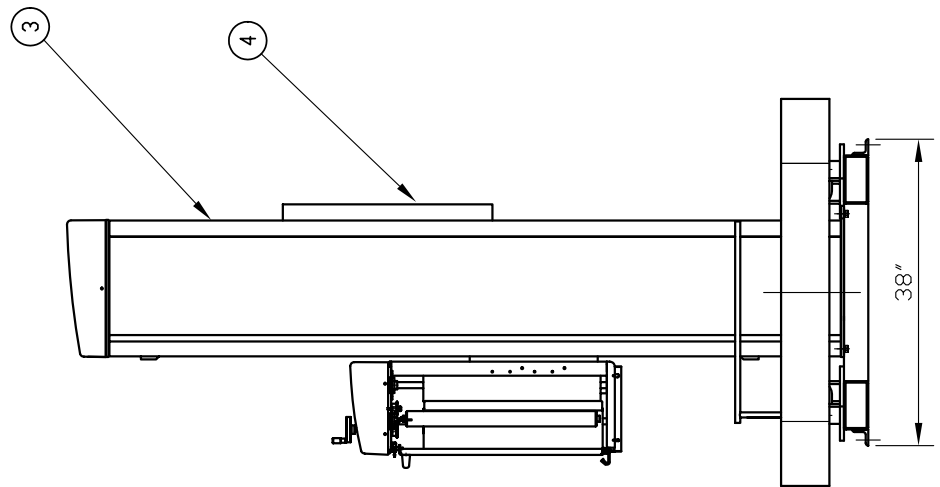
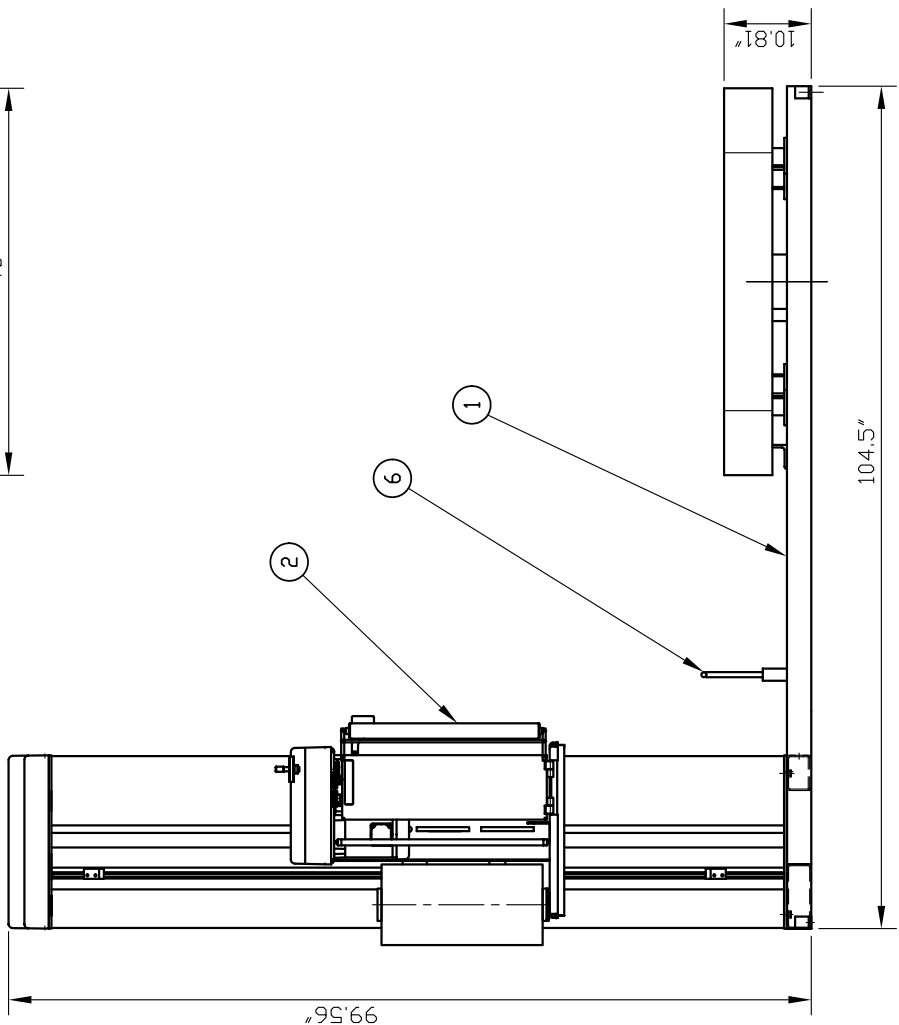
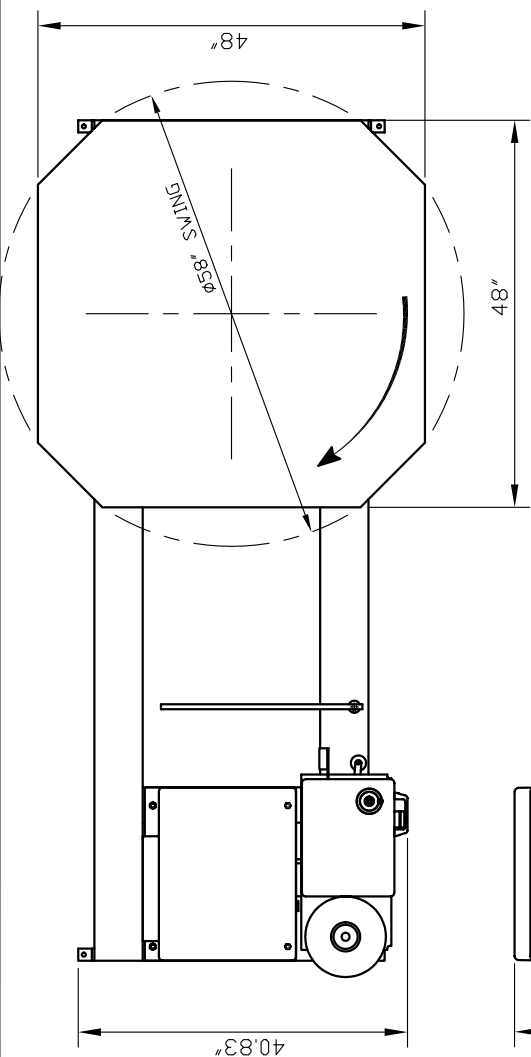


SER. No. •

MATERIAL LIST		
ITEM	QTY.	DESCRIPTION
1	1	BASE ASSY c/w 48" OCTAGONAL TURNTABLE
2	1	RAPID THREAD PRESTRETCH CARRIAGE ASSEMBLY
3	1	STD. TOWER ASSEMBLY, 80" LOAD HEIGHT
4	1	CONTROL PANEL
5	1	T.B.A.
6	1	FILM ROPING BAR

ITEM	QTY.	DESCRIPTION	PART No.
1	1	BASE ASSY c/w 48" OCTAGONAL TURNTABLE	G2500-053-00
2	1	RAPID THREAD PRESTRETCH CARRIAGE ASSEMBLY	G2500-083-00
3	1	STD. TOWER ASSEMBLY, 80" LOAD HEIGHT	G2700-047-00
4	1	CONTROL PANEL	T.B.A.
5	1	T.B.A.	
6	1	FILM ROPING BAR	G2509



COUSINS PACKAGING INC.

SCALE 1 : 12

DATE JUNE 15, 2011

DRAWN BY SD

CHECKED BY

TITLE HP-SW PLATFORM AUTOMATIC STRETCH WRAP MACHINE
c/w 48" OCTAGONAL TURNTABLE & STD. TOWER

DRAWING NO. G3000-067-00

SHEET 1 OF 1

REVISION 0

No.	DESCRIPTION	DATE	REVISIONS