

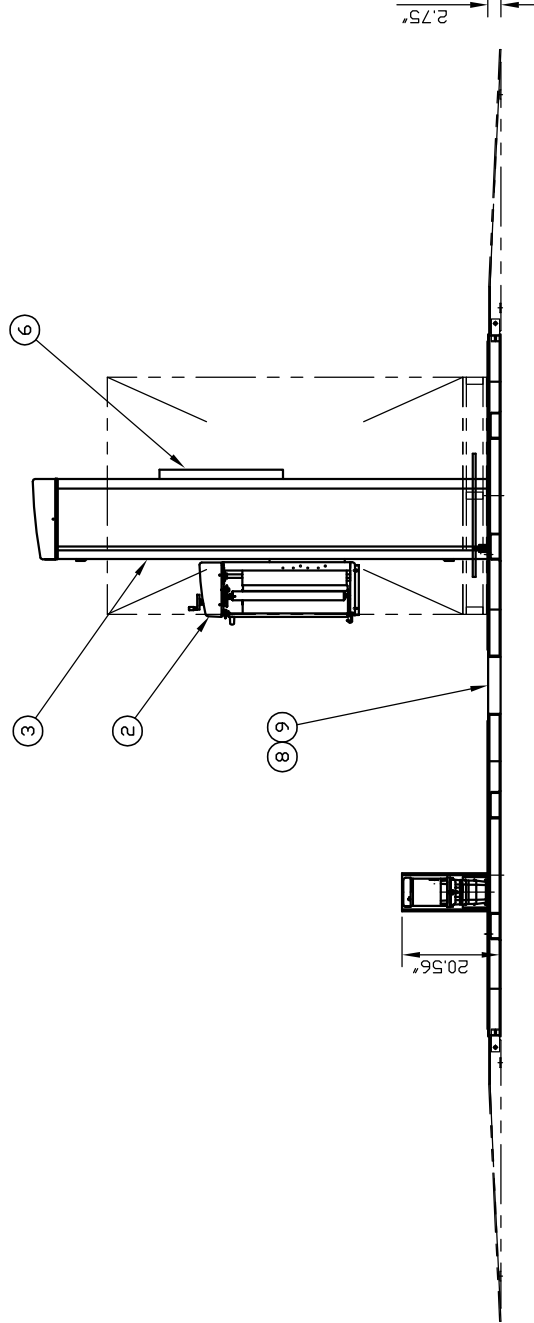
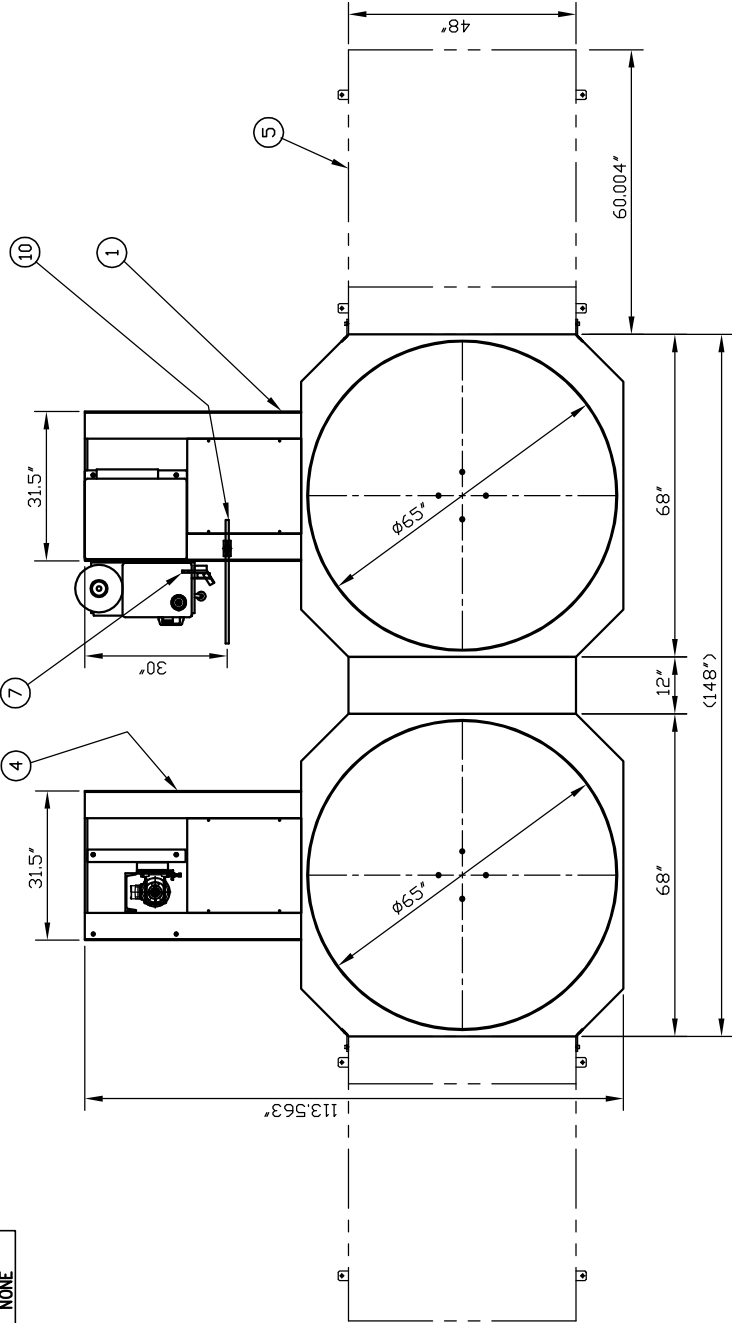
TREATMENT: NONE

SER. No. •

MATERIAL LIST

ITEM	QTY.	DESCRIPTION	PART No.
1	1	LOW PROFILE BASE ASSEMBLY	G2900-084-00
2	1	RAPID THREAD PRESTRETCH CARRIAGE ASSEMBLY	G2900-083-00
3	1	STANDARD TOWER ASSEMBLY	G2700-047-00
4	1	LOW PROFILE SLAVE BASE T/TABLE DRIVE ASSY	G2300-0XX-00
5	(2)	OPTIONAL LOADING RAMP 48" WIDE x 60" LONG	C3156
6	1	CONTROL PANEL	.
7	1	DUAL TURNABLE AL.H.S. PHOTO-EYE BRACKET	C2529
8	1	DUAL TURNABLE FILLER PLATE FRAME	C----
9	1	DUAL TURNABLE FILLER PLATE	F----
10	(1)	OPTIONAL - FILM ROPING BAR ASSEMBLY	G5700-028-00
11	(2)	OPTIONAL, AUTO FILM START ATTACHMENT HOOK (NOT SHOWN)	F25

NOTE: OPTIONAL RAMPS CAN BE INSTALLED ON FRONT OR SIDES OF MACHINE.



COUSINS PACKAGING INC.

No.	DESCRIPTION	DATE	REVISIONS
1	SCALE 1 : 20	AUGUST 12, 2011	
2	DATE	AUGUST 12, 2011	
3	DRAWN BY	CHECKED BY	
4	SD		

TITLE LP-SV DUAL TURNABLE STRETCH WRAP MACHINE
C/W 65" TURNABLES, STD. TOWER & ROPING BAR
DRAWING NO. G3000-080-00
SHEET 1 OF 1
REVISION